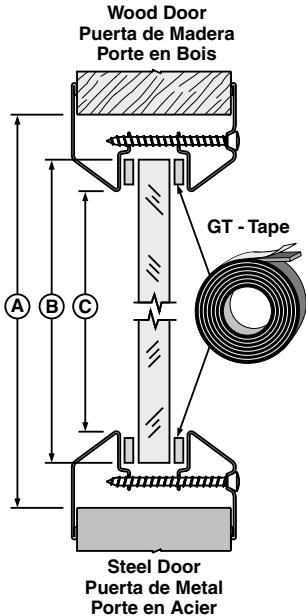
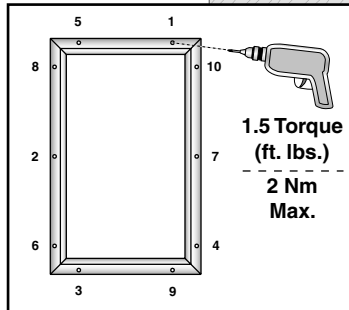
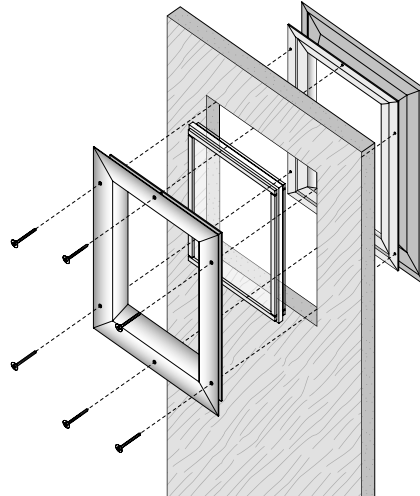


U.S. and NORTH AMERICA

UL-10C, 20/45/60/90/180 minutes



$(A) = (B) + 1" = (C) + 2"$



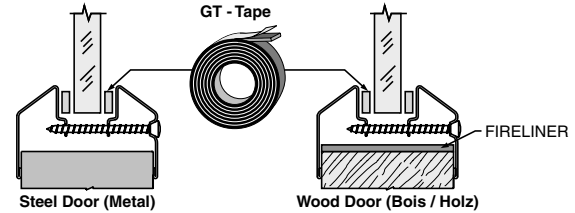
Please examine product for defects
Prior to Installation.

EUROPE

B.S. 476.22

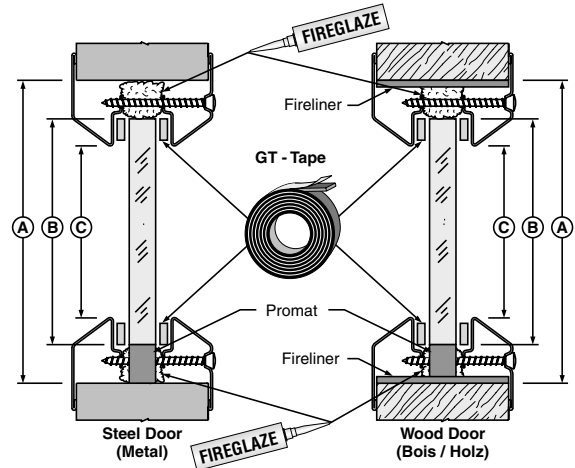
EN-1634.1, E & EW

INTEGRITY



EN-1634.1, EI 30, EI 60

INSULATION



$(A) = (B) + 25\text{mm} = (C) + 50\text{mm}$