



TECHNICAL DATA  
FROM  
**Anemostat**<sup>®</sup>  
INTERNATIONAL  
A MESTEK COMPANY

Kildare House • Wildmere Road  
Banbury • Oxfordshire • OX16 3JU • UK  
Tel: + 44 1279 812958 • Fax: + 44 1279 817771  
e-mail: sales.eu@anemostat.com

**FLDL-W**

FUSIBLE LINK  
LOUVER

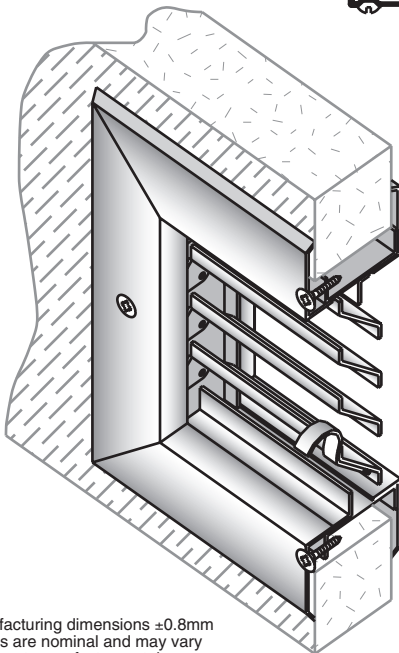
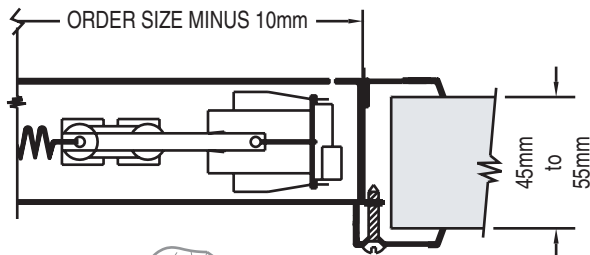
FIRE  
RATINGS

**B.S.-476.22**  
British Standard

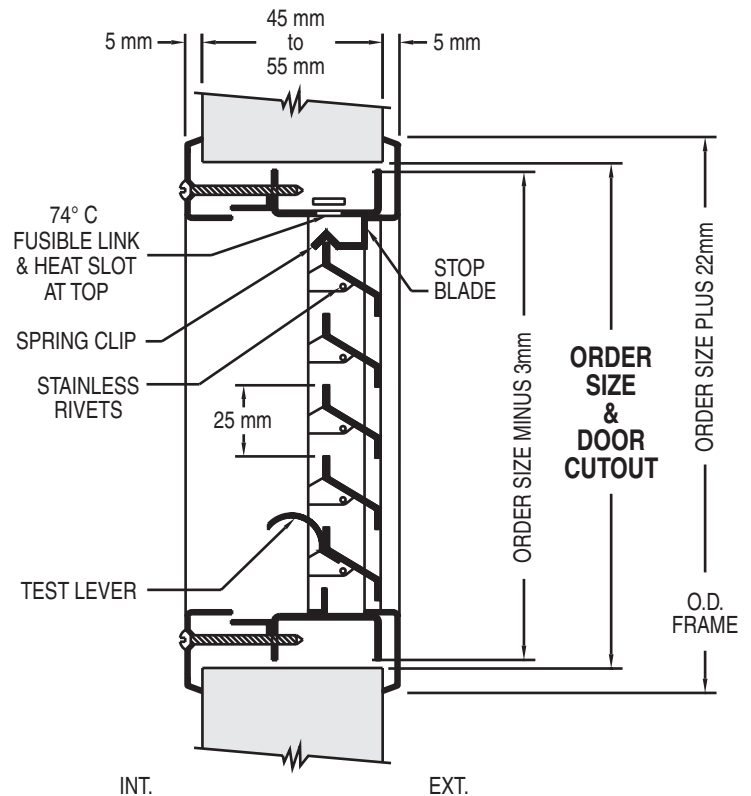


UNDERWRITERS'  
LABORATORIES  
FILE #R77776

**DETAIL DRAWING**



Anemostat manufacturing dimensions ±0.8mm  
Actual dimensions are nominal and may vary  
based on component manufacturers tolerances.



**STANDARD PRODUCT FEATURES**

- **MATERIAL:** 1.2 mm Galvanised Steel Frame and Louver Blades, 1.5 mm inner support members.
- **FINISH:** RAL 9006 Silver Baked Enamel
- **INSTALLATION:** Self attaching using #8 x 25mm phillips head screws that fasten the auxiliary frame to the louver core, thru the cut out in the door. The corridor side of the frame is free of fasteners for added security.
- **DOOR THICKNESS:** Expandable from 45 mm to 55 mm Metal or Wood Doors
- **CLOSING ASSEMBLY:** Stainless steel operating springs assure proper action with the closing mechanism.
- **AESTHETICS:** Tight mitered corners and countersunk mounting holes make for a clean appearance.
- **USES:** In fire rated door applications.
- **FREE AIR FLOW:** 40% Free Area.
- **NOTE:** For Exterior use, High Humidity or Salt Air application, product must be Galvanized or Stainless Steel.

**OPTIONAL FEATURES (SPECIAL ORDER FROM FACTORY)**

- **MATERIAL:** #304 or #316 Stainless Steel, #4 Finish (Satin), Galvanised (Coil or Electro Plated). Not available in Hot Dipped or Aluminum.
- **FINISH:** Custom Baked Enamel Colors (as per sample chip supplied by customer).
- **FASTENERS:** Special security screw fasteners
- **SPECIALS:** Fractional sizes not available.

**FIRE RATINGS (BS 476.22)**

- **BS 476.22:** Steel Doors - 2 hours. Tested to 610mm x 610mm

**FIRE RATINGS (with U.L. classification markings)**

- **20/45/60/90 MINUTE:** Approved listing
  - max width 24" (610mm), max height 24" (610mm)
  - min width 10" (254mm), min height 6" (152mm).
- **IMPORTANT:** Interpretation of building and fire codes may vary. Consult with the local authority having jurisdiction in your area, to determine appropriate standards.

Job Name & Location	Submitted by

For Most Current Info, Consult Factory or check our website, [www.anemostat.com](http://www.anemostat.com)